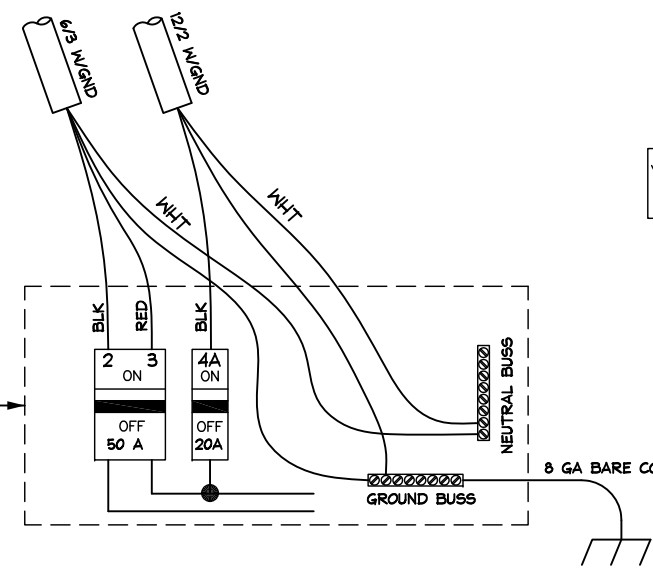
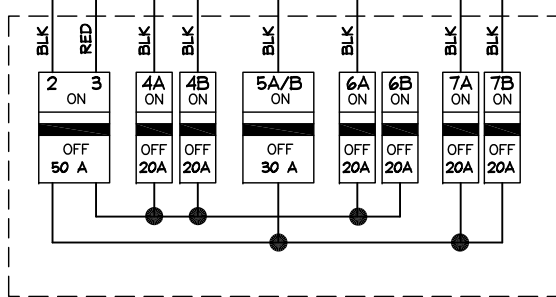
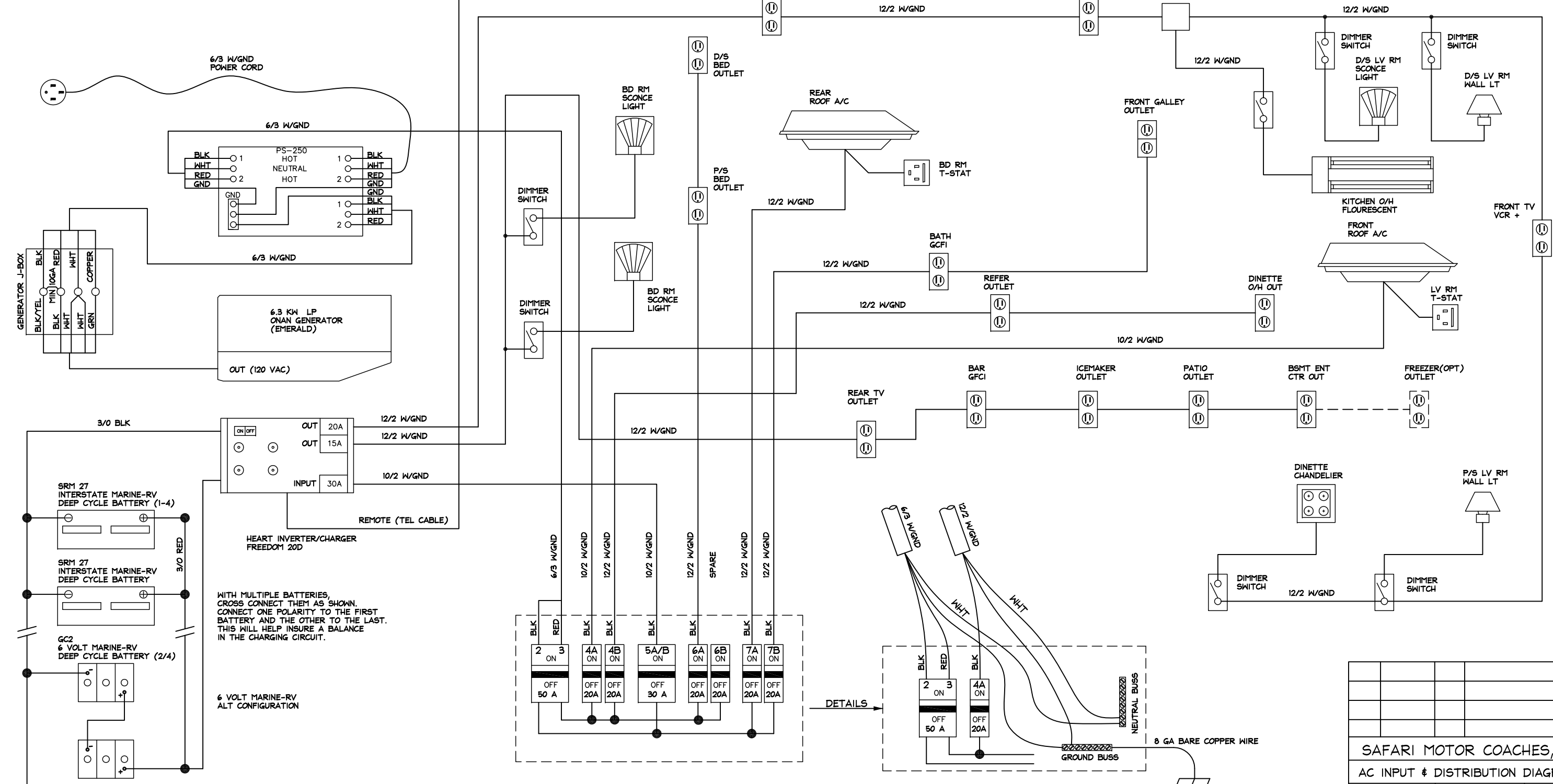
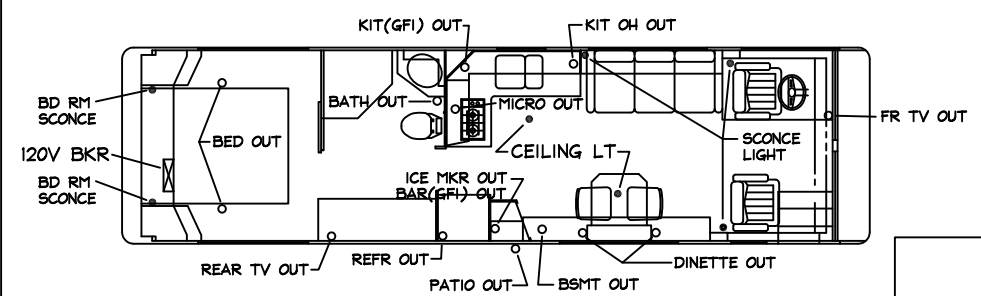


APPLIANCE	MAKE # MODEL	AC	CIRC
1. MICROWAVE	GE	13 A	5A/B
2. AIRCONDITIONER	DOMETIC (FRONT)	15 A	4A
3. AIRCONDITIONER	DOMETIC (REAR)	15 A	7A
4. REFRIGERATOR	DOMETIC	2.9 A	4B
5. 20" TELEVISION	SYLVANIA	1.6 A	5A/B
6. ICE MAKER	N/A	13 A	5A/B
7. VCR	GE	.25 A	5A/B
8. INVERTER	HEART FREEDOM 20/100A CH	8A	5A/B
9. 13" TELEVISION	QUASAR	1.2 A	5A/B
10.	N/A	2.5 A	#4



WITH MULTIPLE BATTERIES, CROSS CONNECT THEM AS SHOWN. CONNECT ONE POLARITY TO THE FIRST BATTERY AND THE OTHER TO THE LAST. THIS WILL HELP INSURE A BALANCE IN THE CHARGING CIRCUIT.

SAFARI MOTOR COACHES, INC.		
AC INPUT & DISTRIBUTION DIAGRAM		
FRONT ENTRY	W/ NOMAD	4/13/95
1996 3044 SAHARA		025E0311
MOD FOR 1998	REDRAW: JIMX	